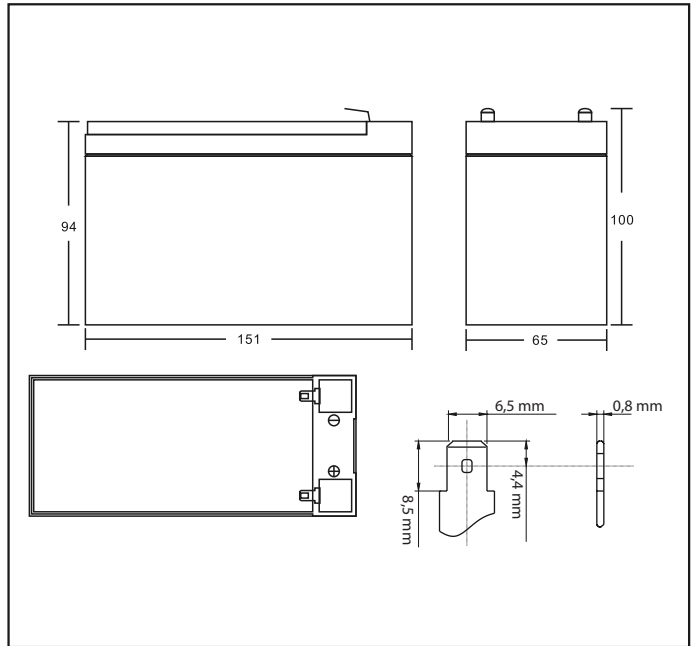


A brand of **legrand**

Operating Temp. Range: Discharge : -15 – 50°C (5 120°F); Charge : 0 – 40°C (5 104°F); Storage: -15 - 40°C (5 104°F)



Designed Floating Life 5 Years



■ Specifications

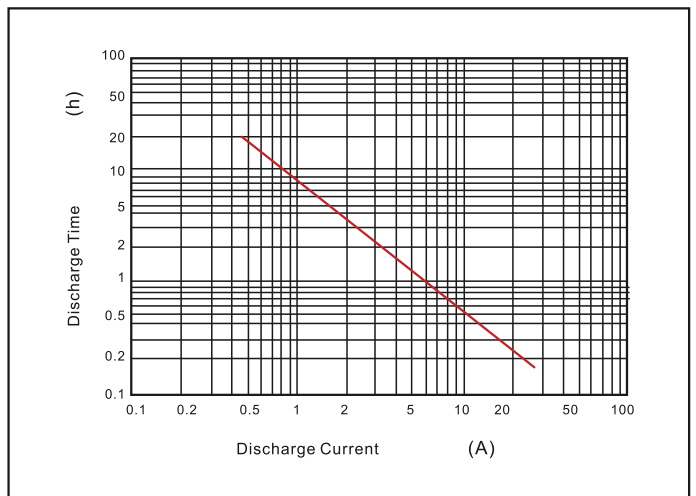
OT 9-12		
Nominal Voltage	12V	
Rated Capacity (20 hours rate)	9.0Ah	
Dimension (±2mm)	Total Height (with terminals)	100mm
	Length	151mm
	Width	65mm
	Height	94mm
Weight (Approx)	2.42Kg	

■ Characteristics

Capacity	20 hours rate 20小时率 (0.45A)	9Ah
Discharge Current Testing (25°C)	20 I ₂₀ rate (9A, 27min) 60 I ₂₀ rate (27A, 7min)	40min 10min
Internal Resistance	Full Charged Battery 25°C	20mΩ
Capacity Affected By Temperature (20 hours rate)	40°C 25°C 0°C -15°C	102% 100% 85% 62%
Residual Capacity (25°C)	Capacity After 3 Months Storage	91% 82% 64%
	Capacity After 6 Months Storage	
	Capacity After 12 Months Storage	
Cycle (Above 300 Time)	Discharge 2hrs at 2.25A Current Charge 6hrs at 0.9A Current (25°C)	
Charge (Constant Voltage)	Cycle (25°C)	Initial Charging Current Less Than 2.7A; Voltage 14.5~14.9V
	Float (25°C)	Charge Voltage 13.6~13.8V

★ The above are average and date obtained from the first 3 charge/discharge cycles. These are not minimum values.

■ Discharge Current & Duration Time



■ Discharge Current 25°C

