

H5107 | H5108

GoSmart ZigBee dimming module



Table of Contents

| | |
|--|----|
| Safety instructions and warnings | 2 |
| Contents of the package | 3 |
| Technical Specifications | 3 |
| Description of the device | 4 |
| Installation and assembly | 5 |
| Controls and functions | 9 |
| Troubleshooting FAQ | 10 |

Safety instructions and warnings



Before using the device, read the instructions for use.

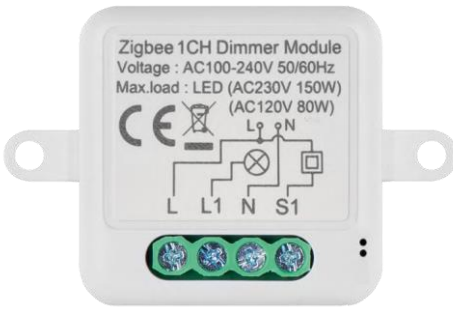


Observe the safety instructions in this manual.

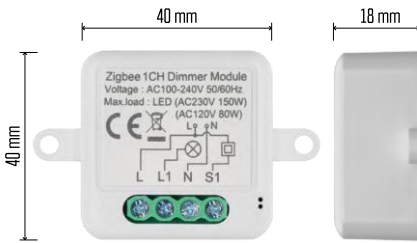
EMOS spol. s r.o. declares that the products H5107, H5108 are in conformity with the essential requirements and other relevant provisions of the directives. The equipment can be freely operated in the EU.

The Declaration of Conformity can be found on the website <http://www.emos.eu/download>.

The equipment can be operated on the basis of general authorisation No. VO-R/10/07.2021-8 as amended.



Package
contents Switching
module Manual



Technical Specifications

Power: AC 100-240 V 50/60 Hz

Dimension: 40 × 40 × 18 mm

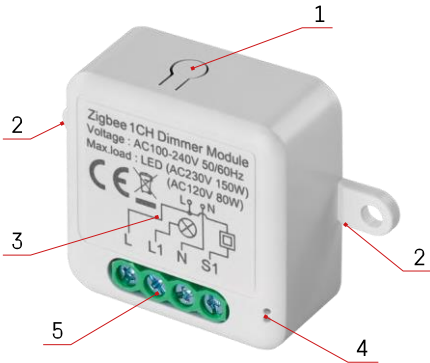
Net weight: 30 g

EMOS GoSmart app for Android and iOS

Communication protocol: ZigBee 3.0 (2402~2480 MHz)

Description of the device

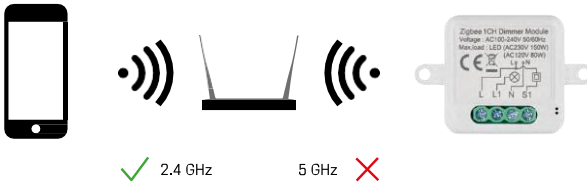
- 1 - RESET button
 - 2 - Holes for mounting
 - 3 - Wiring diagram of the relevant module
 - 4 - LED status light
- Flashing blue - Device is in pairing mode/ disconnected from the network
 - Illuminated blue - Device is in operating mode
- 5 - Terminal block for wiring connection



Notice

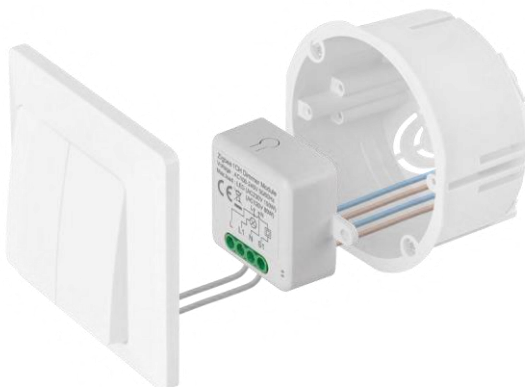
It is strongly recommended that the Smart Switch Module be installed by a person knowledgeable in electrical wiring. Poorly executed installation can pose a risk of electric shock.

Zigbee modules



For ZigBee modules to work, they must be connected to a ZigBee gateway. The ZigBee gateway itself must be connected to a 2.4 GHz network.

Installation and assembly

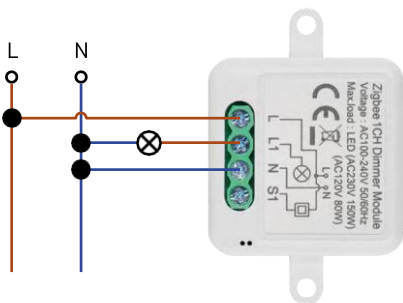


Place the connected module in the installation box under a switch or socket. Thanks to the possibility of fixing, the module can also be installed in various other places (e.g. under plasterboard, in the ceiling...) The wiring diagram can be found below.

For functional and safety reasons, it is essential that all cables connected to this module are stripped at the end with a length of 7 mm.

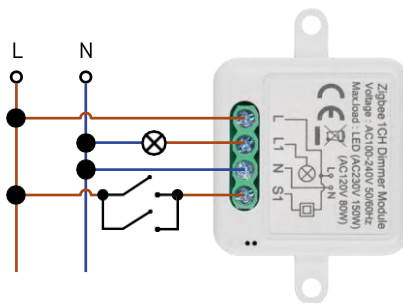


Wiring diagrams for ZigBee dimming modules



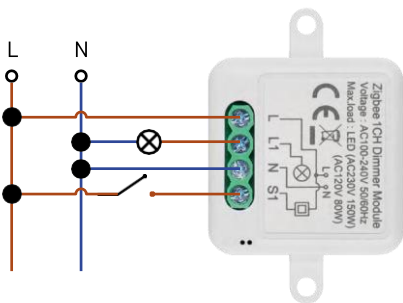
H5107

1 channel dimmer - Without



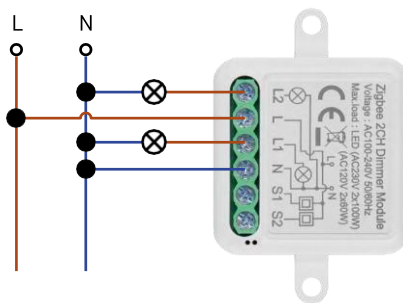
H5107

switch1 channel dimmer - With two switches



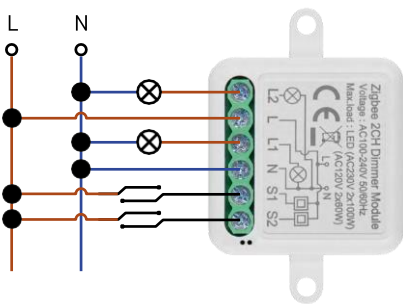
H5107

1 channel dimmer - With one



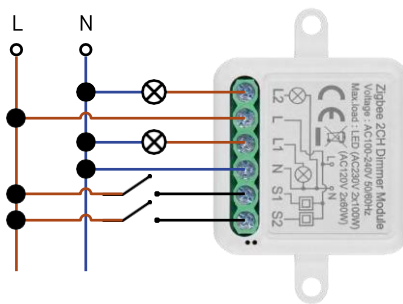
H5108

switch2 channel dimmer - Without switch



H5108

2 channel dimmer - With two



H5108

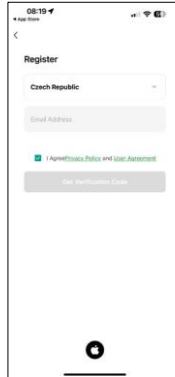
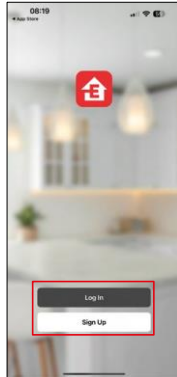
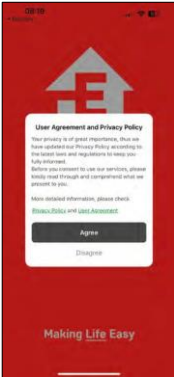
switches2 channel dimmer - With one switch

Pairing with an application

Installing the EMOS GoSmart app

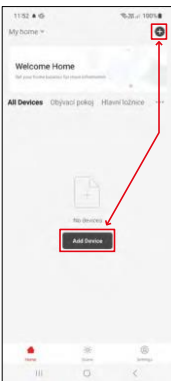


- The app is available for Android and iOS via Google play and the App Store.
- Please scan the QR code to download the app.

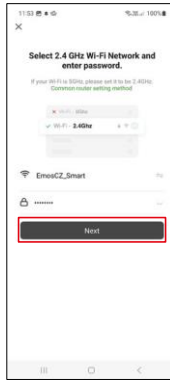


Open the EMOS GoSmart app and confirm the privacy policy and click I agree. Select the registration option. Enter the name of a valid email address and choose a password. Confirm your consent to the privacy policy. Select register.

Pairing with an app



Select Add device.
Select the GoSmart product category and select the Smart Dimmer Module (ZigBee) device.
Select the ZigBee gateway you want to pair the module with. This gateway must be added in the application before pairing the module.



Reset the module by holding down the RESET button for 5 seconds or by flipping the physical switch 6 times (6 times on-off) and checking that the LED is flashing.

Enter the name and password of your Wi-Fi network. This information remains encrypted and is used to allow the module to communicate with your mobile device remotely.



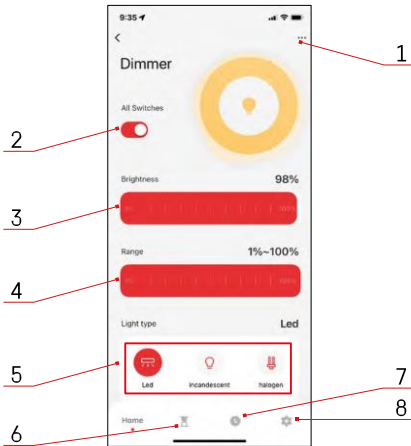
The device will be automatically searched.

After successful pairing, the app displays a confirmation screen. Use the pencil icon to name the module according to your needs.

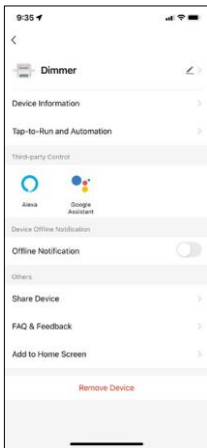
Controls and functions

Icons and indicator lights

- 1 - Advanced settings (described in more detail in the following chapter)
- 2 - Switch button (ON/OFF)
- 3 - Brightness settings
- 4 - Minimum and maximum brightness settings
- 5 - Choosing the type of light source
- 6 - Timer (turns on/off after the selected time)
- 7 - Planning
- 8 - Module settings

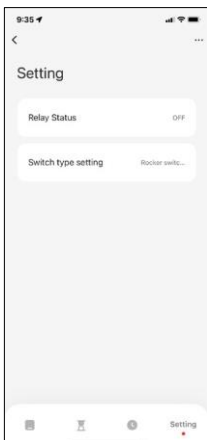


Description of extension settings



- Device information - Basic information about the device and its owner
- Tap-to-Run and Automation - View scenes and automations assigned to the device. Creation of scenes is possible directly in the main menu of the application in the section "Scenes".
- Offline Notification - To avoid constant reminders, a notification will be sent if the device remains offline for more than 30 minutes.
- Share Device - Share device management to another user
- FAQ & Feedback - View the most common questions along with their solutions plus the ability to send a question/suggestion/feedback directly to us
- Add to Home Screen - Add an icon to your phone's home screen. With this step, you don't have to open your device through the app every time, but just click directly on this added icon and it will take you straight to the module

Module settings



- Relay status - Module behavior after power failure.
- Switch Type settings - Settings according to your physical switch type
 - **Rocker Switch - Flip to change status** - The current state of the physical switch is saved as the on position. Each quick on/off will adjust the brightness by 20%.
 - **Rocker Switch - State synchronous** - The on position of the switch will continue to serve as the on position of the module. Each quick on/off will adjust the brightness by 20%.
 - **Reset Switch / Push button** - This option is used for the type of switches that return to their original position when pressed. Holding the button down slowly adjusts the brightness until the switch is released.

Troubleshooting FAQ

I can't get the devices to pair. What can I do?

- Make sure you are using a 2.4 GHz wifi network and have a strong enough signal
- Allow the app all permissions in the settings
- Make sure you are using the latest version of the mobile operating system and the latest version of the app

What should I do if I change my WIFI network or password?

- The module needs to be reset and paired with the application again.

What happens if the Wi-Fi network stops working?

- If you also have a physical switch connected to the module, the device can still be controlled without any problems. However, you will not be able to control the modules through the app until the Wi-Fi network is up and running. The exception to this is ZigBee modules that can still be controlled remotely with other ZigBee devices, such as the EMOS H5011 Scenic Switch, even after an internet outage.

I want to adjust the brightness by holding the button on the switch. How to do it?

- If you have a button that returns to its original position when pressed, follow page 9, Module Settings - Reset Switch / Push button